



Auralight

User and installation manual

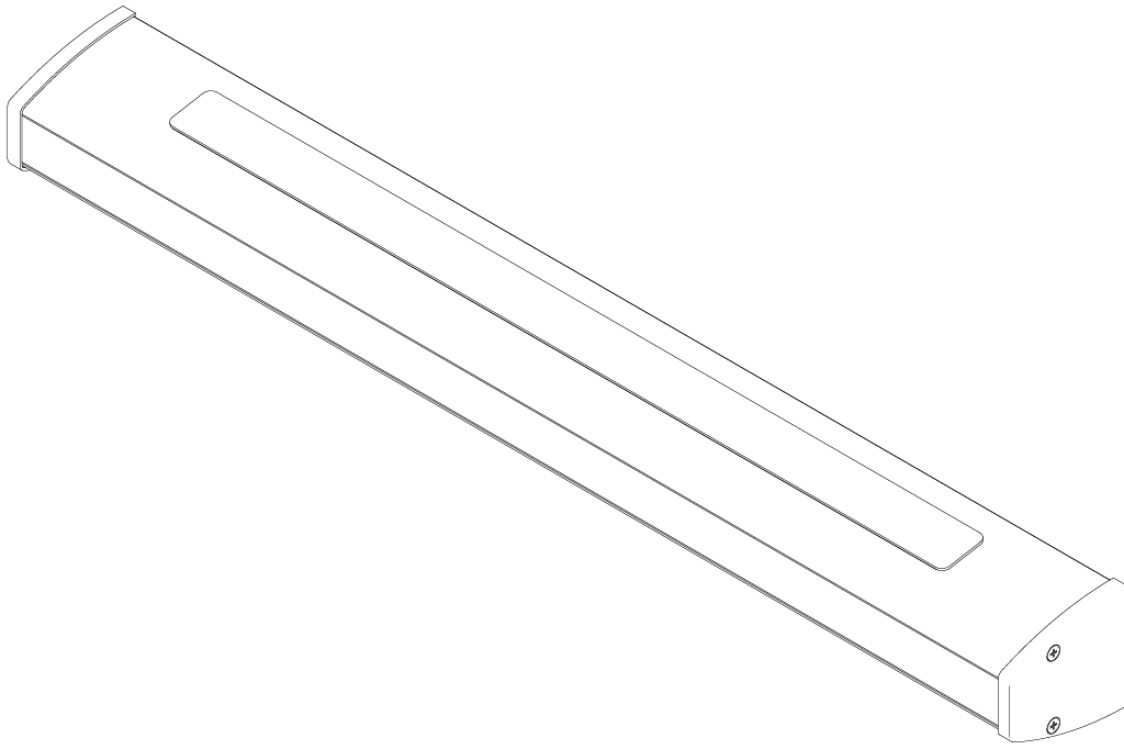
Rev4 (07/06/2024)

Table of contents

Product description.....	4
Notes for the user.....	5
User training.....	5
Applicable standards	5
Intended use	5
Ambient conditions.....	5
Security instructions	6
Injury risk warnings.....	6
Other warnings	6
Complementary security symbols.....	7
Graphic symbols on the device and packaging.....	7
Label information.....	8
Security instructions summary.....	8
Product details.....	10
Components.....	10
Installation	11
Wall perforations.....	11
Brackets.....	12
Connection	12
Hanging the product	13
Closing the product	13
Maintenance	14
Replacements	14
Cleaning.....	14
Technical details.....	15



Product description



Aura light is a modern wall mounted LED light for healthcare facilities. It provides sustainable and economical lighting service through its advanced technology.

It has been designed to provide a direct light that serves as a reading light, and an indirect light for the global illumination of a space. Depending on the size of the space to illuminate, it may be necessary to incorporate other light sources to achieve a proper illumination.



CAUTION

This manual is a constituent part of the equipment and it should be kept near the device to be accessed any time.

Notes for the user

All operations and procedures described in this manual should only be performed by properly trained personnel.

User training

Before using the device for the first time, this manual should be carefully read. This way you can take advantage of all the features of the product and avoid any possible injury or material damage.

Please get in touch with your supplier in case you encounter a situation not fully described in this manual.

Applicable standards

The equipment complies with the safety requirements stated in the following norms and directives:

- IEC 60598-2-25:1994
- IEC 60598-2-25:1994/AMD1:2004
- IEC 60598-1:2020

NOTES

This product should be cleaned and disinfected solely by properly trained cleaning personnel

Maintenance for this product should only be performed by properly trained technical personnel with the corresponding qualification, following the instruction from the

Intended use

Ambient conditions

	Transport and storage	Operation
Temperature	-10°C – 40°C	-10°C – 40°C
Relative humidity	30% – 75%	30% – 75%
Atmospheric pressure	700 hPa – 1060 hPa	700 hPa – 1060 hPa
	Store only indoors	Maximum 3000m AMSL

Security instructions

Security is very important for us, please read assembly instructions carefully before use.

Injury risk warnings

Important notes in this document are marked with graphic symbols and words. Words like Danger, Notices or Caution describe the injury risk level. The triangular symbols

DANGER

It refers to a potential danger with high risk that, if not avoided, will cause severe injuries or death

WARNING

It refers to a potential danger with medium risk that, if not avoided, can cause a minor injury or death

CAUTION

It refers to a potential danger with low risk that, if not avoided, will cause a severe injury

emphasise the danger.

Other warnings

NOTICE

It refers to a potential danger that, if not avoided, can cause material damage

NOTE

It refers to additional information and advice for a more secure and efficient use of the



ELECTRICAL SHOCK HAZARD

Warns of electrical danger that can cause severe injuries or even death



Indicates the installation manual should be carefully read before the installation of the



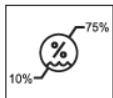
Environment friendly waste: warns of the danger that can be caused to the environment with undesired waste of the ceiling pendant



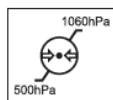
General reminder to use the device carefully

Complementary security symbols

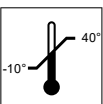
Graphic symbols on the device and packaging



Relative humidity: indicates the admissible humidity for its transport and storage within a range between 10% to 70%.



Atmospheric pressure: indicates the admissible atmospheric pressure for its transport and storage within a range between 400hPa to 1060hPa.



Ambient temperature: indicates the admissible ambient temperature for its transport and storage within a range between -10°C to 40°C.

Label information

The characteristics label is placed on the side of the product.



Security instructions summary

CAUTION

Health risks. Disinfectants can contain hazardous substances that can cause injuries when they get in contact with the skin or eyes. They can also provoke injuries in the respiratory system when inhaled.

Disinfection

- Pay attention to hygiene guidelines
- Pay attention to the disinfectant manufacturer instructions
- Perform a disinfection of the surfaces after each working session, and in case of contamination

ELECTRICAL SHOCK HAZARD

Supply cables are installed inside the product. Contact with energised components presents an electrical discharge hazard. Before performing any installation or uninstallation and any configuration, the product must be disconnected from the main supply.

Maintenance

- Disconnect all connectors to the main supply and make sure accidental reconnection cannot happen
- Make sure all connections are not energised.



Warranty

TEDISEL IBERICA S.L. guarantees the functional reliability under the following circumstances:

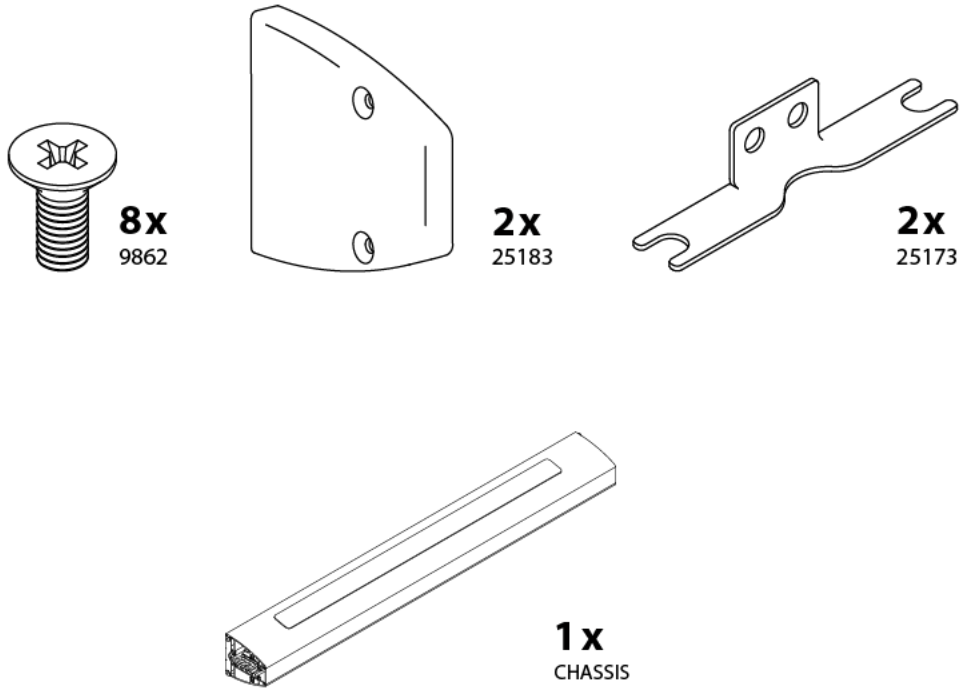
- No alteration is made to the ceiling pendant structure. Unauthorised modifications are not allowed for security reasons
- Only original replacements and accessories approved by TEDISEL IBERICA S.L. are to be used. Using other replacements can result in unknown risks and must be avoided in any case.
- Inspections and maintenance procedures must be performed at the specified intervals.
- Documents regarding assembly, disassembly, adjustments, and approved accessories are available under demand to TEDISEL IBERICA S.L.
- The responsibility for the device location inside the working area relies on the validations of the whole system. If required, an evaluation procedure will be made, and an agreement statement will be issued according with article 12 in the 93/43/CEE Medical equipment directive

Waste removal (RoHS conformity)

- The ceiling pendant complies with the requirements in the 2011/65/CD RoHS Directive (in the restrictive use of certain dangerous substances in electric and electronic devices)
- To prevent any environmental damage or personal injuries, please get in touch with us or your authorised service partner if you need to dispose any component of the ceiling pendant
- The ceiling pendant must be disposed in a waste facility according with the specific regulations on each country.

Product details

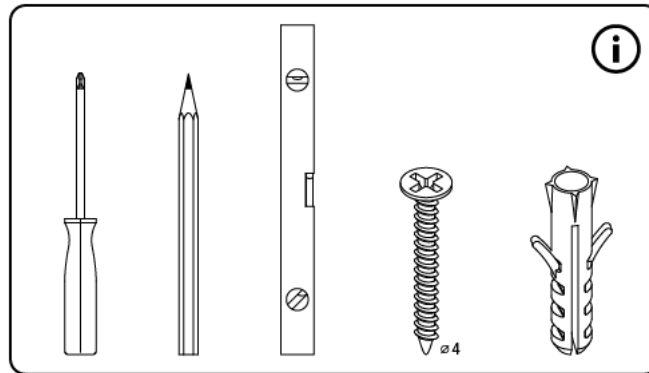
Components



- 8x M4 countersunk screws (9862)
- 2x End covers (25183)
- 2x Fixation brackets (25173)
- 1x Chassis

Installation

Before installing the product, you will need to prepare 4 fixation screws and any other accessory needed to attach them to the wall, as these are not included. The diameter of the fixation screws should not be larger than 4mm. Its head must be bigger than 5mm

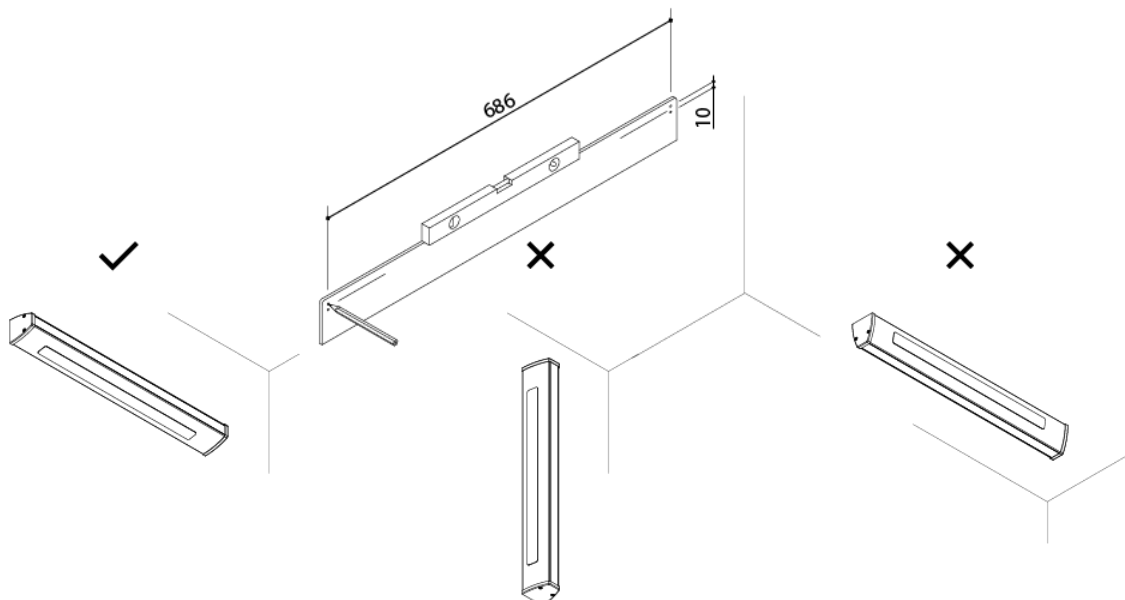


in diameter as well.

Aura light should only be installed on the wall.

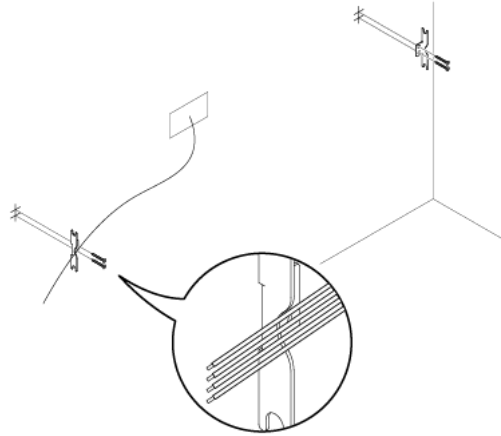
Wall perforations

Make four holes for the fixation screws as shown below (dimensions in mm)



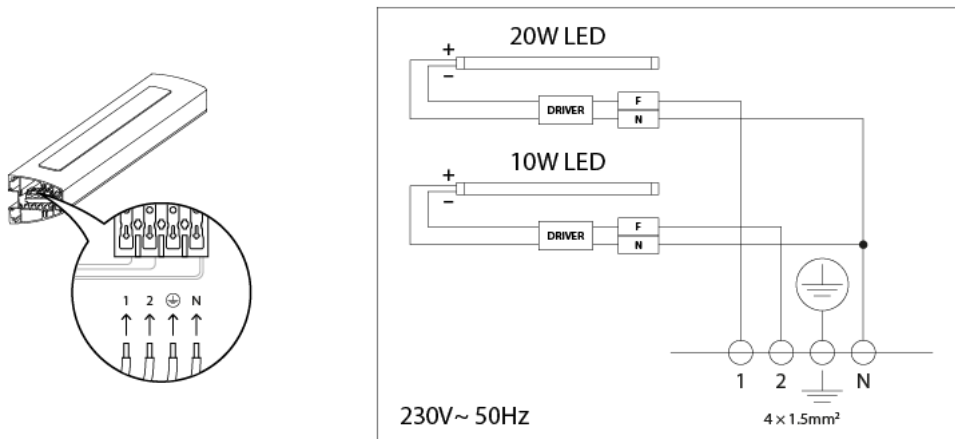
Brackets

Attach the fixation brackets using the 4 fixation screws. Bear in mind wires will pass through the dent in the bracket.



Connection

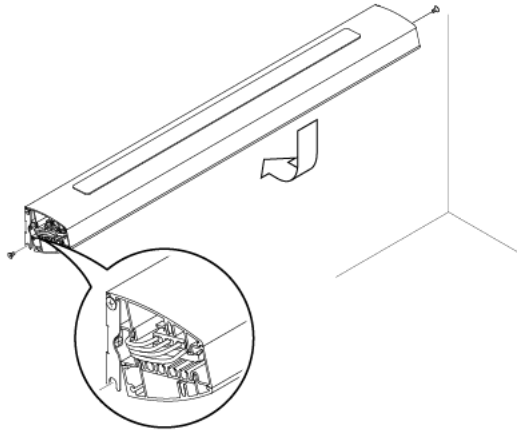
Connect the wires following the electrical wiring below.



Hanging the product

If they are not already installed, screw 2 of the supplied M4 screws on the upper part of the sides of the luminaire (one on each side).

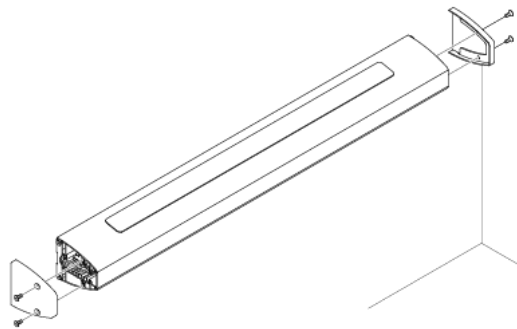
Hang the luminaire on the brackets, making sure all cables pass through the opening in its side. Once all the cables are correctly placed and the luminaire is completely flat



against the wall, screw the 2 bottom M4 screws (one on each side).

Closing the product

Once the luminaire is securely attached to the wall, you can screw the side covers in



place. Use 2 M4 screws for each side.



Maintenance

Aura light does not require any specific periodic maintenance.

Replacements

The light source contained in this luminaire is not replaceable.

Once the light source reaches its end of life, the complete luminaire shall be replaced. Only the manufacturer, his service agent or a similar qualified person can replace the light source.

Cleaning

Considering product features and resistance against water, cleaning should be done with slightly wet cloth in order not to bring water inside.

- Do not use tools, abrasive or hard fluids like disinfectants containing sodium hypochlorite or any other component that can cause damage to aluminium.
- No part or component of the unit is invasive so it will not be necessary to sterilize it.

Disinfectants for critical areas without formol like Saint Nebul Ald from Proder Pharma are recommended. Application method as follows:

- Dissolve 4 valve portions provided by the manufacturer in 5 litres of water.
- Spray the compound on the water and leave it for 15 minutes.
- Remove it with water or soap solution and a cloth.



Technical details

Material	Aluminium
Finish	Epoxy painted
Technology	LED (SMT)
Colour temperature	4500 K
CIE R _a	> 80
Electric supply	120–240 V ~ / 50–60 Hz
Rated power	20-80W
Luminous flux	945 lm↓ 1890 lm↑
Number of lights and power	2 – 4 strips, (1-2x10W)/(1-2x20W)↓ (1-2x10W)/(1-2x20W)↑
Connection	Terminals/connectors
Shock protection	Class I
Protection grade	IP 40
Contact surface	Suitable for normally flammable surfaces

tediselmedical.com

Sant Lluç, 69 / 81 08918 Badalona – BCN – España T.: +34 93 399 20 58

info@tedisel.com