

**tedisel**medical  
AN EXPERT INSIGHT INTO HOSPITAL EQUIPMENT



# ABITUS

CEILING SUSPENDED BRIDGE

## CEILING SUSPENDED BRIDGE



Possibility to add sliding service boxes (up to two trolleys per bed)



Possibility to have sliding vertical trolleys with a large variety of accessories (up to two trolleys per bed)



Possibility to install components on the front and rear sides



Colors and anodization upon request



Antibacterial paint upon request



Length and specifications upon request



Rounded sides and geometric lines for optimal cleaning

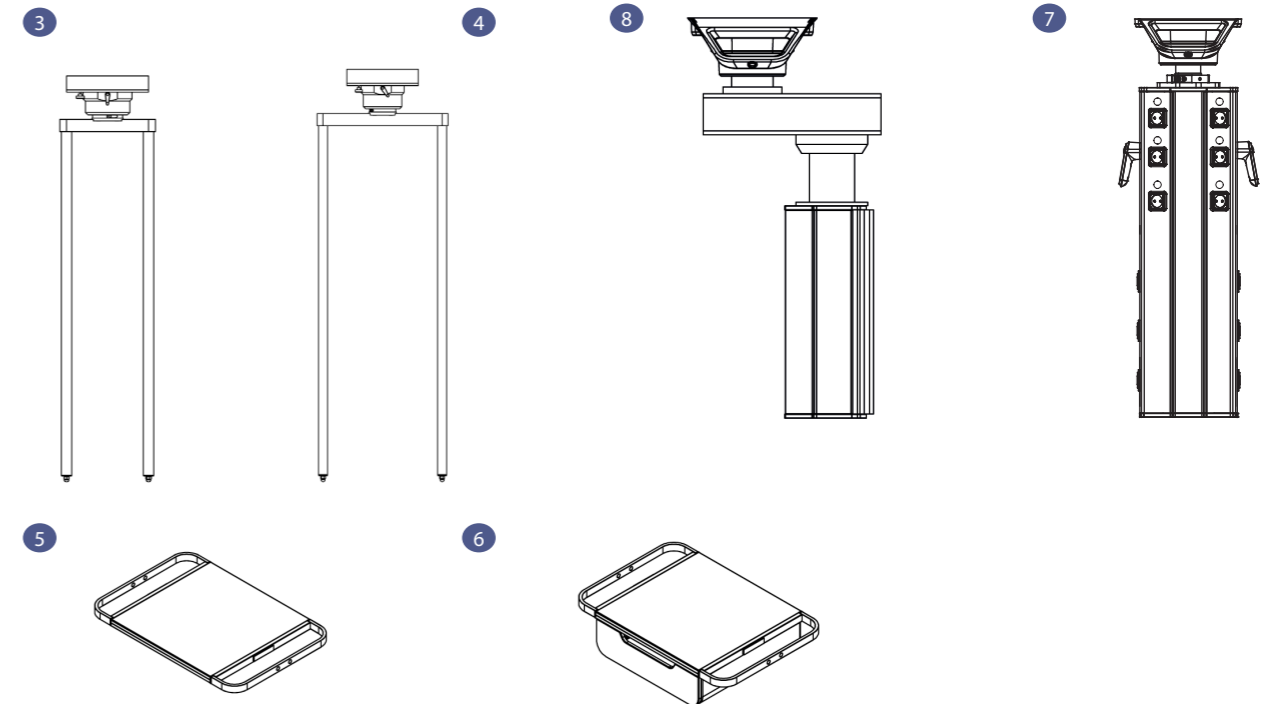
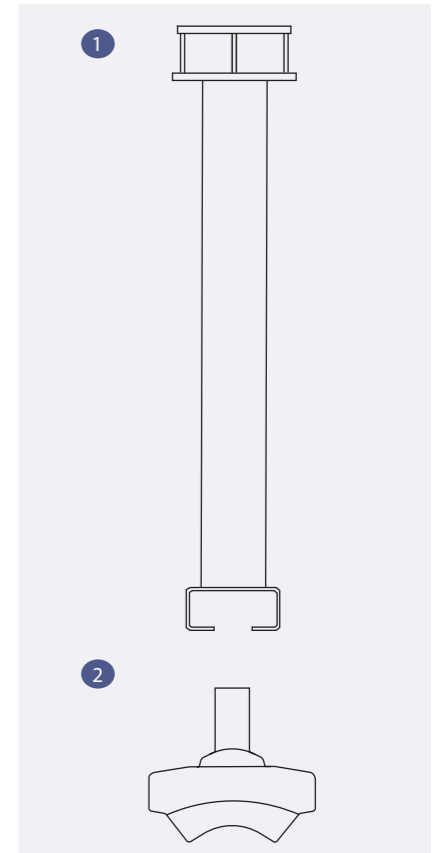


LED lighting (Direct, Indirect and Night Light)

**ABITUS** is a ceiling suspended system, produced by Tedisel, to provide support in critical areas such as:

- Intensive Care Units (I.C.U.)
- Neonatology.
- Intermediate Care Units.
- Recovery Rooms for adults

- 1 Suspension pipes
- 2 Suspended bed head units
- 3 Infusion trolley
- 4 Monitoring trolley
- 5 Shelf
- 6 Shelf with drawer
- 7 Vertical service head
- 8 Service head with arm



### High Efficiency in Critical Areas

**ABITUS** is our ceiling suspended bridge designed to optimize space in critical areas and to cover all medical needs. The main feature of this system is the possibility to add two sliding service boxes for each bed. Abitus is the most ergonomic, flexible and robust system in the market.

### Some references

Hospital Sant Juan de Dios	Spain	Basra Hospital	Irak
Hospital Provincial Nuestra Señora de Gracia	Spain	Hospital Virgen del Camino	Spain
Clínica Iván Mañero	Spain	Hospital de Guayaquil	Ecuador
Hospital Gernika - Lumo	Spain		
INS Hospital del Trauma	Costa Rica		
NMC Hospital	UAE		
Bright Point Hospital	UAE		
Burjeel Hospital	UAE		



## ACCESSORIES

**ABITUS** offers various solutions, its main feature is the possibility to install service heads and vertical trolleys. This guarantees the installation of a large variety of accessories, gas outlets and electrical components as close as possible to the patient and staff.



Wall Technical rails



IV Poles & Infusion pumps



Shelves & Drawers



Monitor Support Arms



Examination lamps



Medical baskets and more



Sliding service boxes and/or  
Trolleys (Wet and Dry)

## QUALITY

Tedisel Management System and all our products are certified with quality seal ISO 13485 and CE marking granted by notified body TÜV RHEINLAND LGA Products GmbH. Tedisel, as a medical device manufacturer, has the medical device manufacturer license number 6205-PS, granted by the Spanish Agency for Medicines and Health Products. All medical devices

developed and manufactured in Tedisel, are regulated by the European Directive 93/42/EEC. All equipment has accreditation and certification of electrical safety and electromagnetic compatibility standards ISO 11197 and EN 60601.

Tedisel Iberica S. L.  
Sant LLuc, 69-81  
08918 Badalona, BARCELONA, Spain  
Tel. +34 93 399 20 58  
info@tedisel.com  
tediselmedical.com



INF-312-EN 05/2024