

# The compact alternative for ceiling supply units

**Ergonomic**  
It guarantees efficient and safe workflow.

**Compact**  
It optimizes and organizes the work in limited spaces.

**Versatile**  
It permits customization of its components and accessories according to the demands and requirements of each area.



## Ares in detail

**Design**  
Compact horizontal head, focused on occupying the minimum space.



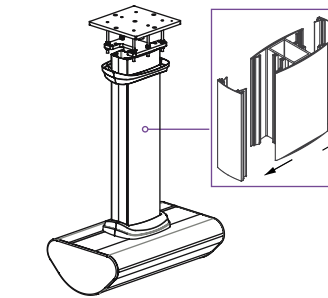
Ar

### Supply Capacity

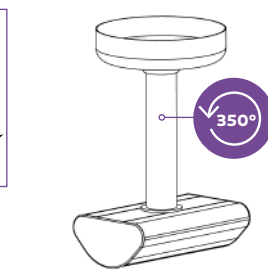
Ares offers possibility of using front and back profile for integrating electrical, gas, telecommunication and lighting elements.

### Fixation options

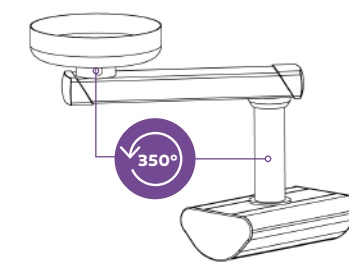
**FIXATION TYPE F:**  
Direct ceiling fixing.



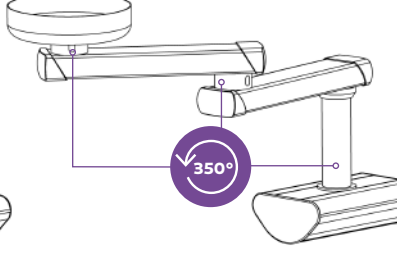
**FIXATION TYPE R:**  
Direct ceiling fixing with rotation.



**FIXATION TYPE SA:**  
Single arm fixation.



**FIXATION TYPE DA:**  
Double arm fixation.



Fixation option	Max. Load
<b>F - Fixes Suspended</b>	150 kg
<b>R - Rotation Suspended</b>	150 kg

<b>SA - Simple arm</b>	
Extension arm 600 mm	580 kg
Extension arm 800 mm	420 kg
Extension arm 1000 mm	320 kg
Extension arm 1200 mm	260 kg

<b>DA - Dual arm</b>	
Extensions arms 600+600mm	265 kg
Extensions arms 600+800mm	220 kg
Extensions arms 600+1000mm	180 kg
Extensions arms 600+1200mm	156 kg
Extensions arms 800+800mm	180 kg
Extensions arms 800+1000mm	150 kg
Extensions arms 800+1200mm	130 kg
Extensions arms 1000+1000mm	130 kg

<b>Horizontal unit</b>	
Ares Dimensions (long/wide/high)	700 x 468 x 245 mm
Net Weight *	21 Kg
Ares Dimensions (long/wide/high)	900 x 468 x 245 mm
Net Weight *	25 Kg

\* Net weight without elements.

<b>Equipment and accessories</b>	
<b>Shelf</b>	
Dimensions	430 x 430 x 25 mm
Net weight	5,5 Kg
Net weight with technical rails	6 Kg
Max. Load	50 Kg
<b>Shelf with drawer</b>	
Dimensions	430 x 430 x 145 mm
Net weight	13 Kg
Net weight with technical rails	13,5 Kg
Max. Load	40 Kg
<b>Tube diameter 38</b>	
Length	1400 mm
Net weight	2 kg
<b>Tube diameter 38</b>	
Length	1100 mm
Net weight	1,6 Kg

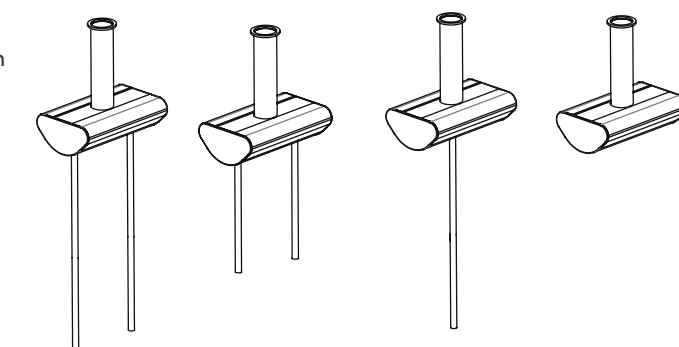
### Organization of accessories and equipment units

Customized configurations based on the specific requirements of each critical area.  
Ares can be configured with one or two standard tubes with 38mm diameter for these accessories:

- Monitor holder arm.
- Infusion holder arm.
- Infusion pumps.
- Trays, (height adjustable).
- Drawers, (height adjustable).
- Technical rails (DIN).
- Tubes\* L=1400 L=1100

Both solutions with technical rail as well as without technical rail allow clear workspace under the equipment to place any electro medical equipment such as respirators, suction pump, anaesthesia machines, etc.

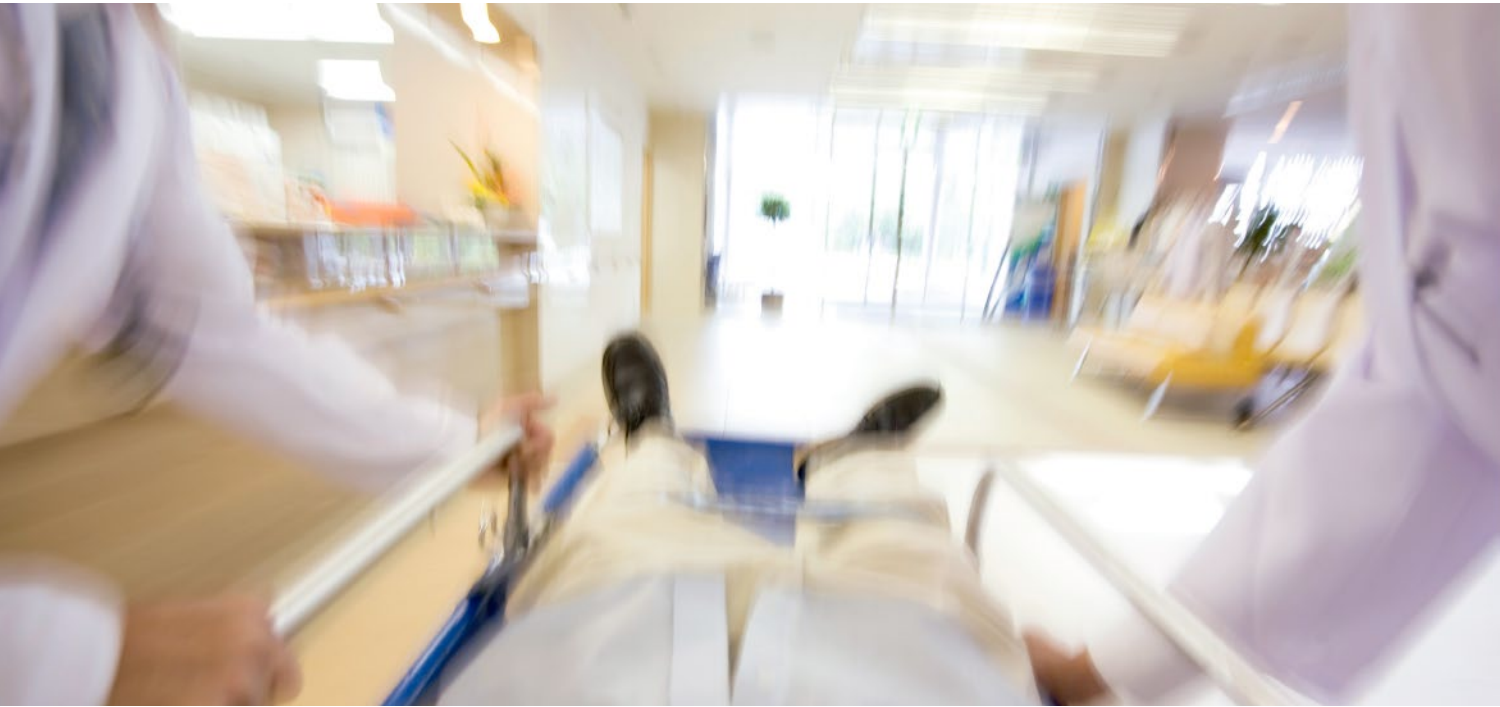
\* Optionals configuration upon request





**Ares** is a Ceiling Suspended System for areas such as:

- Operating Theatres.
- Intensive Care Units (I.C.U.)
- Neonatology.
- Emergency Rooms.



In Operating Theatre, is the option for less invasive procedures which require operative versatility.

In critical areas, is the ideal option for limited spaces which require dynamic and efficient support.

 **Some references:**

- Hospital de Sant Cugat for ICU, Spain
- BGMU" Bashkir State Medical University Ufa, Russia
- Albertinum Žamberk, Czech Republic
- Nemos maternity SOKOLOV, Czech Republic.



tediselmedical

tediselmedical



# Ares

Ceiling Suspended System designed for critical areas and operating theatre

## technical data

### Electrical System

Rated voltage	110/230 V~
Rated frequency	50-60Hz
Rated current	10A or 16A per circuit. 20A and 25A optional

### Lighting System (optional)

Ballast	Ballast: conventional or dimmable
Direct light	led 1x10W, led 1x20W
Indirect light	led 1x10W, led 1x20W
Night light	1,2W

### Gas system

Compressed gases	5 bar
Compressed air-nitrogen supply to air motors	10 bar
Gas type	O <sub>2</sub> -Air-N <sub>2</sub> O-CO <sub>2</sub> -VAC-AGSS-Air 800-N <sub>2</sub> 800

### Materials

	<b>6060 / 6063 T5</b>
Structure	Aluminum (thickness 4 mm)
Tube	Diameter 38, Stainless steel AISI 304
Shelves	Aluminum / Stainless steel with epoxy painting
Technical rails	Stainless steel AISI 304

### Installation

Fixation to the concret ceiling by ceiling plate.

### Transportation and storage\*

Ambient temperature	-10°C to + 60°C
Relative humidity	20% - 80%

\* The following storage conditions apply for up to 15 weeks.

### Ambient conditions

Ambient temperature	+10 °C - + 40°C
Relative humidity	Max. 75%

### Clasification

Directive 93/42/EEC	CLASS II B
---------------------	------------

### EC Conformity

Tedisel complies with the provisions of Directive 93/42/EEC (medical devices), ISO 11197 (medical supply units) and IEC 60601-1 (Medical electrical equipment - Part 1: General requirements for basic safety and essential performance)

### Compatibility with other medical devices

Tedisel products may be equipped with medical devices from other manufacturers. Please follow the instructions provided by the manufacturers of this equipment for proper installation.

### CE 0197

TÜV Rheinland LGA Products GmbH

## quality

**Tedisel** Management System and all our products are certified with quality seal **ISO 9001**, **ISO 13485** and **CE marking** granted by notified body **TÜV RHEINLAND**.

**Tedisel**, as medical device manufacturer, has the medical device manufacturer license number 6205-PS, granted by the Spanish Agency for Medicines and Health Products

All medical devices developed and manufactured in Tedisel, are regulated by the European Directive 93/42/EEC. All equipment has accreditation and certification of electrical safety and electromagnetic compatibility standards ISO 11197 and EN 60601.



tediselmedical

Sant Lluç, 69-81  
08918 Badalona,  
BARCELONA, Spain  
Tel. +34 93 399 20 58  
Fax +34 93 398 45 47  
info@tedisel.com  
www.tedisel.com

