

Our flagship bed head unit



Versatile

Aura design allows perfect adaptation to all hospital wards with different possible configurations.



Attractive

Optimal design with attractive shape and fine lines.



Clean

Geometric lines enhance optimal cleanlines.



Modular

Aura modular design allows various configurations granting adequate space for all gas and electrical services.



Adaptable

The wider newly designed profiles allow suitable mounting for all standards of electrical and gas components.



AURA in detail

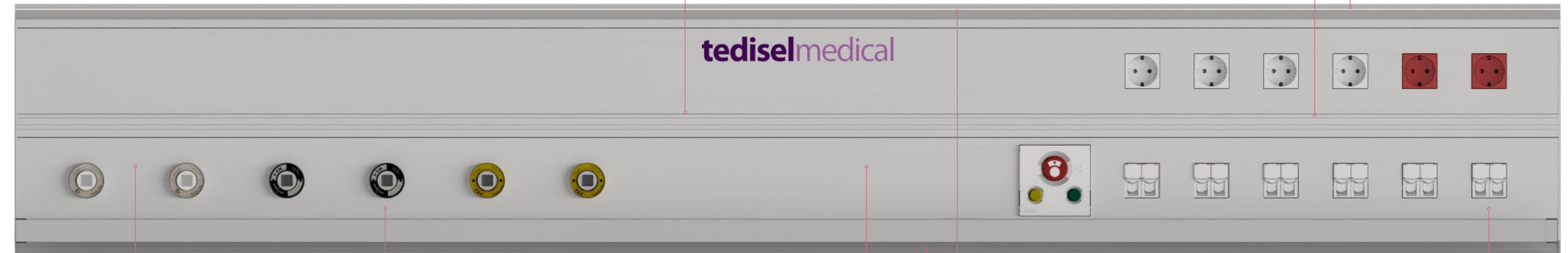
AURA is the bed head unit with a design based on geometric lines that facilitate its cleanliness.

Surface finish

The unit can be epoxy painted in any RAL colour or anodised. Possibility to apply an HPL sheet on the frontal face or similar options on demand

Easy maintenance

The covers permit easy access to their interior.



Medical Gas Elements

The gas outlets are installed in the mechanical structures fixed to the profile Internal structure.

Illumination

Additional illumination
Direct and indirect LED or fluorescent lights are available in various configurations

Electrical mechanisms

All electrical components can be fixed either on the chassis or front lids.

Accessories

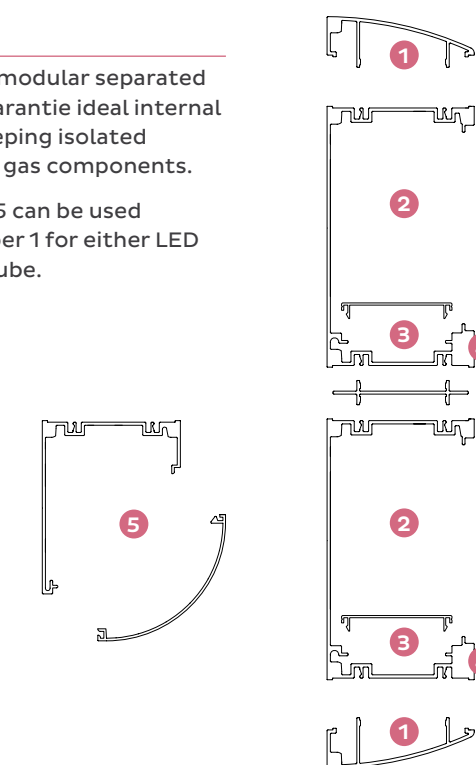
Aura structure can integrate several technical rails which can be placed at the top, middle or bottom of the unit. The technical bar can be used for mounting:

- Stainless steel shelf
- Monitor supports arms
- Infusion stands
- Examination and reading lamps
- Element basket holders
- Clamps to fit different equipments
- Drawers

Profile

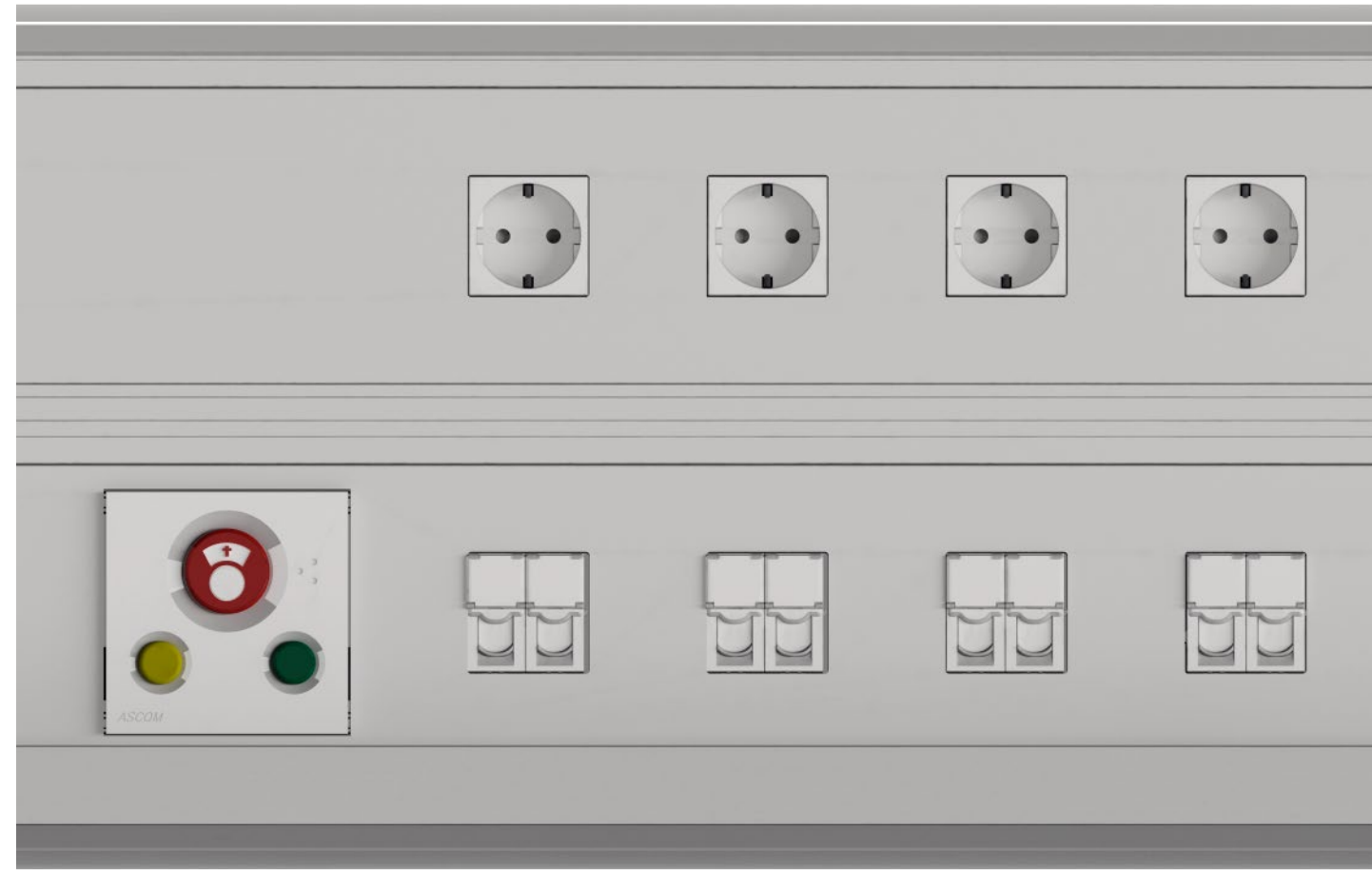
Aura is made of modular separated profiles that guarantee ideal internal segregation, keeping isolated electrically from gas components.

Profile number 5 can be used instead of number 1 for either LED or fluorescent tube.



- 1 Indirect or direct light LED.
- 2 Low voltage, high voltage and gas outlets.
- 3 Low voltage.
- 4 Provision for technical rail.
- 5 Indirect or direct light.

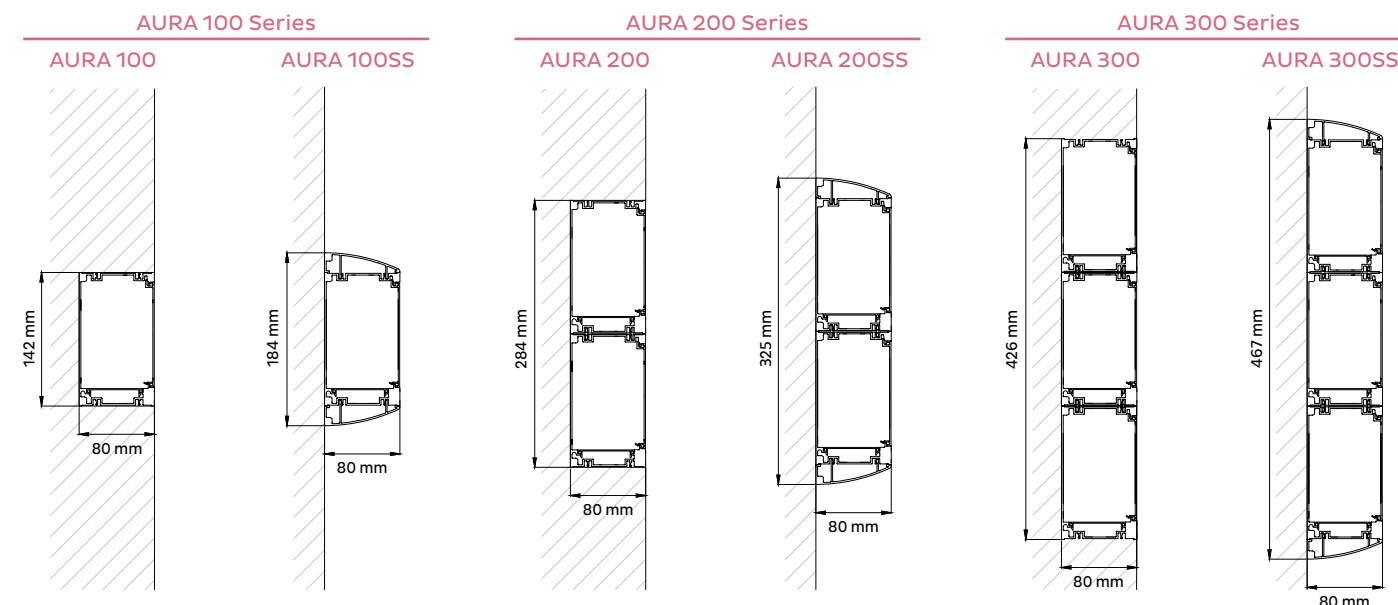
AURA is the wall-mounted bed head unit designed by Tedisel, totally adaptable and modular.



Aura offers the best option to equip different hospital wards with a variable number of electrical and gas components.

Aura can be manufactured with several modular profiles that can match any standard or special configuration required.

On top of the standard configurations, our sales and technical team can also adapt Aura to any special specification required.



tediselmedical

tediselmedical



technical data

Horizontal profile

Max. Length of manufacture	3000mm*
----------------------------	---------

* If it was required consecutive sections for many beds, the union is done from inside the bed head, making two sections visible.

Technical rail

Max. Load	25 Kg x meter
-----------	---------------

Electrical System

Rated voltage	110/230 V~
Rated frequency	50-60Hz
Rated current	10A or 16A per circuit. 20A and 25A optional

Lighting System (optional)

Direct light	Led 1x10W, led 1x20W
Indirect light	Led 1x20W, led 2x20W
Night light	1,2W

Gas system

Compressed gases	5 bar
Compressed air-nitrogen supply to air motors	10 bar
Gas type	O ₂ - Air - N ₂ O - CO ₂ - VAC - AGSS - Air 800 - N ₂ 800

Materials

6060 / 6063 T5

Structure	Aluminum (3 mm thickness) with epoxy painting or anodized
Electrical/gas outlet plate	Aluminum with epoxy painting anodized, HPL or similar material
Technical rails	Stainless steel AISI 304 / Aluminum
End cover set	ABS injected / Aluminum (white)
Plastic diffuser	Extruded polycarbonate

Installation

For surfaces with good mechanical strength (concrete, brickwork, etc.) it is recommended to fix the product directly on the surface with expansion plugs and screws. On weak surface, this kind of surface should first be reinforced with a wooden insert fixed to the metal structure of the plasterboard in order to increase the consistency when fitting the screw.

Transportation and storage*

Ambient temperature	-10°C to +60°C
Relative humidity	20% - 80%

* The following storage conditions apply for up to 15 weeks.

Ambient conditions

Ambient temperature	+10°C to +40°C
Relative humidity	Max. 75%

Classification

Directive 93/42/EEC:	CLASS II B
----------------------	------------

EC Conformity

Tedisel complies with the provisions of Directive 93/42/EEC (medical devices), ISO 11917 (medical supply units) and IEC 60601-1 (medical electrical equipment. Part 1: general requirements for basic safety and essential performance).

Compatibility with other medical devices

Tedisel products may be equipped with medical devices from other manufacturers. Please follow the instructions provided by the manufacturers of this equipment for proper installation.

CE 0197 - Notify Body

TÜV Rheinland LGA Products GmbH

quality

Tedisel Management System and all our products are certified with quality seal ISO 9001, ISO 13485 and CE marking granted by notified body TÜV RHEINLAND LGA Products GmbH.

Tedisel, as medical device manufacturer, has the medical device manufacturer license number 6205-PS, granted by the Spanish Agency for Medicines and Health Products

All medical devices developed and manufactured in Tedisel, are regulated by the European Directive 93/42/EEC. All equipment has accreditation and certification of electrical safety and electromagnetic compatibility standards ISO 11197 and EN 60601.



tediselmedical

Sant Lluç, 69-81
 08918 Badalona,
 BARCELONA, Spain
 Tel. +34 93 399 20 58
 Fax +34 93 398 45 47
 info@tedisel.com
 www.tedisel.com

